



SolidDrive™

INDUCTION DYNAMICS®



INSTALLATION & USE GUIDE for SolidDrive SD1 into walls and ceilings with existing drywall

Experience True Audio Perfection

Induction Dynamics extensive line of audio products makes it easy to create the ultimate audio system, regardless of installation requirements. Induction Dynamics builds these products with only the most select components and materials; and utilizes numerous unique and proven technologies.



INSTALLATION OF SOLIDDRIVE SD1 INTO WALLS AND CEILINGS WITH EXISTING DRYWALL

By utilizing these seven basic installation steps, you can install the SolidDrive SD1 into walls and ceilings with existing drywall to create sound for boardrooms, home theater, and distributed audio.

Getting Started with SolidDrive

What's included with the SolidDrive SD1 for installation into walls and ceilings before drywall and what is supplied by the installer

A SolidDrive SD1 consists of:

One (1) SolidDrive SD1 unit and attached wiring harness with Eurostyle connector. **Additional mounting materials may need to be ordered with the SolidDrive SD1 or supplied by the installer depending on the application.*

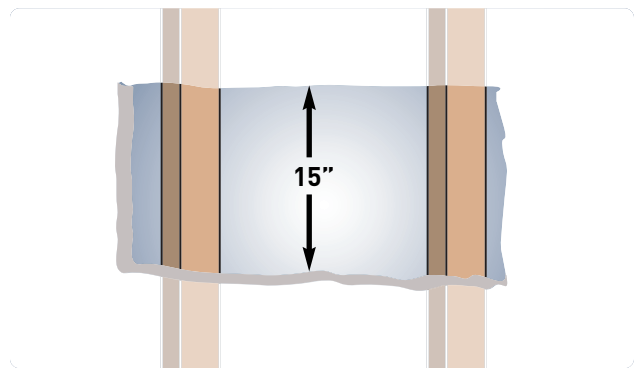
- **For drywall:** For in-wall and in-ceiling installation, you will have ordered one (1) or more SolidDrive SD1s and one (1) or more patent-pending acoustic in-wall mounting brackets (one (1) bracket per SD1), which comes with four (4) #8-32 x 5/16" Phillips flat head machine screws for mounting the drive to the bracket.

At the time of the order, you will have specified 16OC, 24OC or 12OC. **Installation also requires four (4) 1 3/8" drywall screws and one (1) container of 3M® Super 77 Spray Adhesive(supplied by the installer).*

STEP 1. Cut a rectangular opening in the wall.

For installing the SolidDrive SD1 mounting bracket into existing drywall, first cut a rectangular opening in the drywall. The minimum recommended opening size is approximately fifteen inches tall and beyond the width of the adjacent wall studs to help attach the mounting bracket and help in feathering the drywall back in and getting the drywall to meet at the seams (Figure 1). This will allow proper distribution of sound and the SolidDrive SD1 will function with optimum performance.

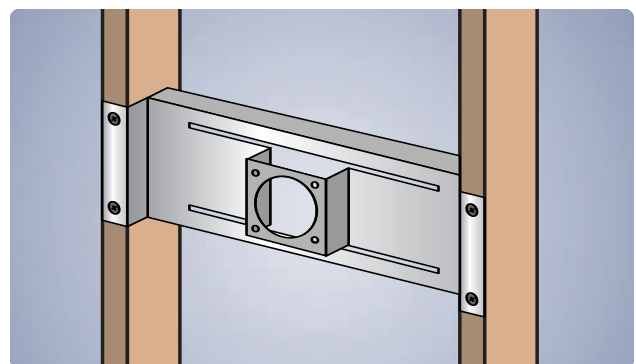
Figure 1. Cut an opening large enough to install the mounting bracket



STEP 2. Attach the SolidDrive SD1 mounting bracket to wall studs or ceiling joists.

Place the mounting bracket between the wall studs or ceiling joists and secure with two, 1 3/8" drywall screws. Insert the screws through the 2 pre-drilled holes in each flange and screw them into the face of each wall stud or ceiling joist (Figure 2). The drywall screws need to be driven flush with the surface of the flange so that the drywall sets flush on the bracket flange.

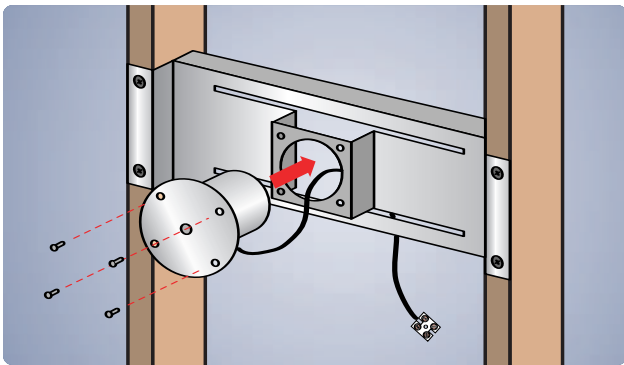
Figure 2. SolidDrive SD1 mounting bracket attached to studs.



STEP 3. Install the SolidDrive SD1 into the bracket.

Feed the SolidDrive SD1 cable through the round opening in the face of the mounting bracket. Insert the SolidDrive SD1 through the same opening with the oversized mounting base facing outward toward the side that the drywall will be installed and flush against the bracket face. Align the pre-drilled holes in the mounting base to the threaded holes in the bracket face (Figure 3). Attach the SolidDrive SD1 securely to the mounting bracket using the 4 Phillips flat head machine screws.

Figure 3. SolidDrive SD1 being installed into mounting bracket



NOTE: The SolidDrive SD1 can also be installed without the mounting bracket in ceilings that are accessible from above. Use the 3M® Super 77 contact spray adhesive and liberally spray both the surface of the oversized mounting base and the drywall. Press the SolidDrive SD1 directly against the drywall. Make sure the surface is dry and free of dust.

STEP 4. Make the electrical connections.

Make the electrical connection between the SolidDrive SD1 and the speaker cable using the Eurostyle connector attached to the end of the SolidDrive SD1 audio cable. The polarity of the wiring is clearly indicated (Figure 4).

Figure 4. Eurostyle connector

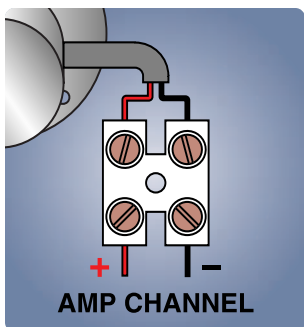
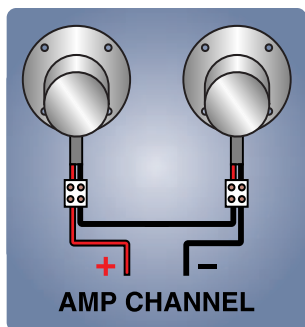


Figure 5. SolidDrives wired in series



STEP 5. Apply adhesive to the drywall surface and base of the SolidDrive SD1.

Use the 3M® Super 77 contact spray adhesive and liberally spray both the surface of the oversized mounting base (masking around the base is highly recommended to prevent overspray) and the drywall just prior to mounting the drywall panel back into the wall. The adhesive provides the proper acoustic coupling between the base and the drywall.

IMPORTANT: Failure to apply the adhesive to both the drywall surface and oversized mounting base will prevent the system from functioning properly.

STEP 6. Re-install the cutout.

For re-installing the rectangle drywall panel that was cut out to install the SolidDrive SD1, it is important to create a uniform seal between the cut drywall and the existing drywall. This will allow proper distribution of sound and the SolidDrive SD1 will function with optimum performance. Apply fast setting joint compound, not vinyl based, between the cutout section and the existing drywall panel, making sure to fill the crack completely with mud then proceed with the normal mud and tape routine.

STEP 7. Equalize the SolidDrive SD1 sound system

The surface material plays a key role in the system's sound performance. To ensure an optimal listening experience the installer **MUST** equalize the SolidDrive SD1 system. Equalization is accomplished by using the SolidDrive Drywall Passive Equalization Module or using the auto equalization feature available on some receivers. *Additional information about the SolidDrive Drywall Passive Equalization Module can be found on the back cover of this guide.

HIGH OUTPUT INSTALLATIONS

For installations requiring high output, such as a home theater or other high output type applications, two SolidDrive SD1's should be used for each of the high output channels. For example the left, right, and center channel of a home theater or the left and right channels of a high output stereo system. The two SD1's should be wired in series for each of the high output channels (Figure 5). For maximum output each SolidDrive channel should have available at least 20 square feet of surface area.

SolidDrive™



SolidDrive SD1 Specifications

Type	Full Range Transducer
Impedance	8 Ohm
Frequency Response (Hz)	70 Hz to 15 kHz
Recommended Amplifier Power	10 – 100 Watts
Dimensions	2.28" Diameter x 2.08" Height Mounting Plate 3.5" Diameter
Weight	1.2 lb / .54 kg



SolidDrive SD1 In-Wall and In-Ceiling Mounting Bracket Specifications

Type	Patent-pending balanced cantilever spring bracket
Construction	Heavy duty, galvanized steel
Dimensions	160C – 2.0" H x 17.5" W 240C – 2.0" H x 25.5" W 120C – 2.0" H x 13.5" W
Weight	1.0 lb / .45 kg



SOLIDDRIVE DRYWALL PASSIVE EQUALIZATION MODULE

The SolidDrive Drywall Passive Equalization Module increases the system's sound performance for optimal listening enjoyment by using notch filters to correct peaks in the frequency response. Use one (1) module with each SolidDrive SD1.

SolidDrive Drywall Passive Equalization Module Specifications

Connector Type	Eurostyle
Wire Size	16 gauge
Dimensions	1.0" H x 2.875" W x 2.0" D
Weight	.27 lb / .12 kg

WARRANTY

The product is guaranteed for 7 years from date of purchase. Any misuses or modifications to this equipment in any way will void the warranty.

WARNING

Read instructions prior to operating. To reduce the risk of fire or electric shock, do not expose this product to rain or moisture. Unplug prior to cleaning and clean with a damp cloth. There are no user-serviceable parts in this product, please refer all servicing to qualified personnel.

SolidDrives, SolidDrive Subwoofers, and A4 Amplifier come with a 7-year warranty.



INDUCTION DYNAMICS® | True Audio Perfection™

8650 College Boulevard • Overland Park, KS 66210 • TEL: 866.663.9770 • FAX: 913.663.9790

www.inductiondynamics.com / www.soliddrive.com